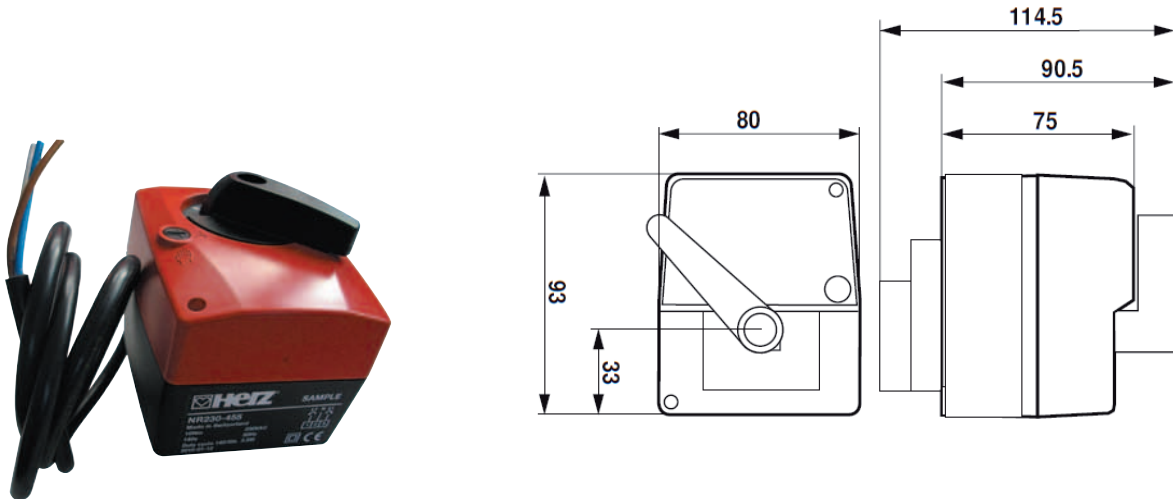


HERZ-Rotary Actuator

Data sheets for **7712**, Issue **1112**

☑ Dimensions in mm



☑ Model

Actuator for 2- or 3-Port Control Ball Valves.

Two-part housing made of plastic, lower part is black and upper part is red. The actuator is secured by means of a single screw. The bolt is supplied with the actuator. The mounting position in relation to the ball valve can be selected in 90° steps. The angle of rotation is limited to 90°. The actuator switches off automatically when the end stops are reached.

- | | |
|-----------|---|
| 1 7712 60 | Actuator for 2-Port Control Ball Valve
Torque 10 Nm, Nominal Voltage AC 230 V, Control: Open/Close |
| 1 7712 61 | Actuator for 2-Port Control Ball Valve
Torque 10 Nm, Nominal Voltage AC 230 V, Auxiliary switch
Control: 3-point |
| 1 7712 62 | Actuator for 2-Port Control Ball Valve
Torque 10 Nm, Nominal Voltage AC 24 V. |
| 1 7712 63 | Actuator for 3-Port-Mixing Valve
Torque 5 Nm, Nominal Voltage AC 230 V
Control: 3-point |

☑ Technical Data

Electrical Data

Power supply range	AC 198 ... 264 V
Power consumption	3.5 W at nominal voltage
Dimensioning	3.5 VA
Connection, cable	1 m, 3 x 0,75 mm ²
Auxiliary switch	1 m, 3 x 0,75 mm ²
Parallel connection	not possible

Functioning Data

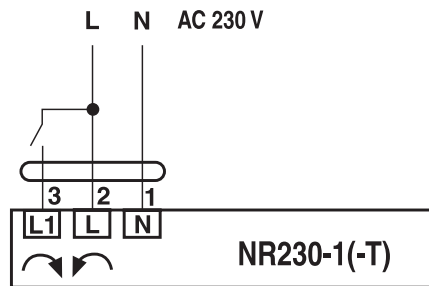
Torque	min. 10 Nm (at nominal voltage)
Position accuracy	±5%

Manual override		Temporary and permanent disengagement of the gearing latch by means of the rotary knob on the housing
Running time		140 s/ 90°
Noise level		max. 35 dB (A)
Position indication		Scale plate 0 ... 10
Safety		
Protection class		II Totally insulated
Degree of protection		IP40
EMC		CE according to 89/336/EWG
Low voltage directive		CE according to 73/23/EWG
Mode of operation		Type 1.B (according to EN 60730-1)
Nominal current voltage		4 kV (according to EN 60730-1)
Control pollution degree		3 (according to EN 60730-1)
Ambient temperature range		0 ... + 50 °C (duty cycle 140/35 s)
Media temperature		+ 5 ... + 120 °C (in ball valve)
Non-operating temperature		- 30 ... + 80 °C
Ambient humidity range		95% r.H., non-condensating (according to EN 60730-1)
Maintenance		Maintenance-free
Weight		apx.500 g
1 7712 60	Nominal voltage	AC 230 V, 50 / 60 Hz
	Control	Open/close (2-point)
1 7712 61	Nominal voltage	AC 230 V, 50 / 60 Hz
	Auxiliary switch	1 SPDT, 5 (1) A, AC 250 V II
		Adjustable switching point, 0 ... 100% (Factory settings 100%)
1 7712 62	Nominal voltage	AC 24 V, 50 / 60 Hz
	Control	static
	Operating voltage	24 V
	Control voltage	0-10 V
1 7712 63	Nominal voltage	AC 230 V, 50 / 60 Hz
	Control	3-point

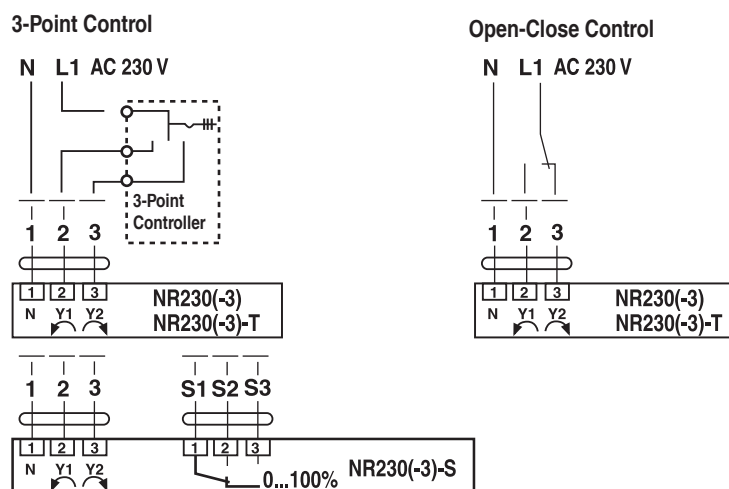
Safety notes

- The actuator has been designed for use in heating, ventilation and air conditioning systems and is not allowed to be used outside the specified field of application, especially in aircraft or in any other airborne means of transport
Caution: Power supply voltage!
- It may only be installed by suitably trained personnel. All applicable legal or institutional installation regulations must be complied with.
- The actuator must be protected against moisture. It is not suitable for use in outdoor applications.
- Check that the strain relief of the cable in the actuator housing functions correctly.
- The device may only be opened at the factory. It does not contain any parts that can be replaced or repaired by the user.
- The device contains electrical and electronic components and is not allowed to be disposed of as household refuse. All locally valid regulations and requirements must be observed.

☑ **Wiring Diagram 1 7712 60**



☑ **Wiring Diagram 1 7712 61 and 1 7712 63**



☑ **Wiring Diagram 1 7712 62**

