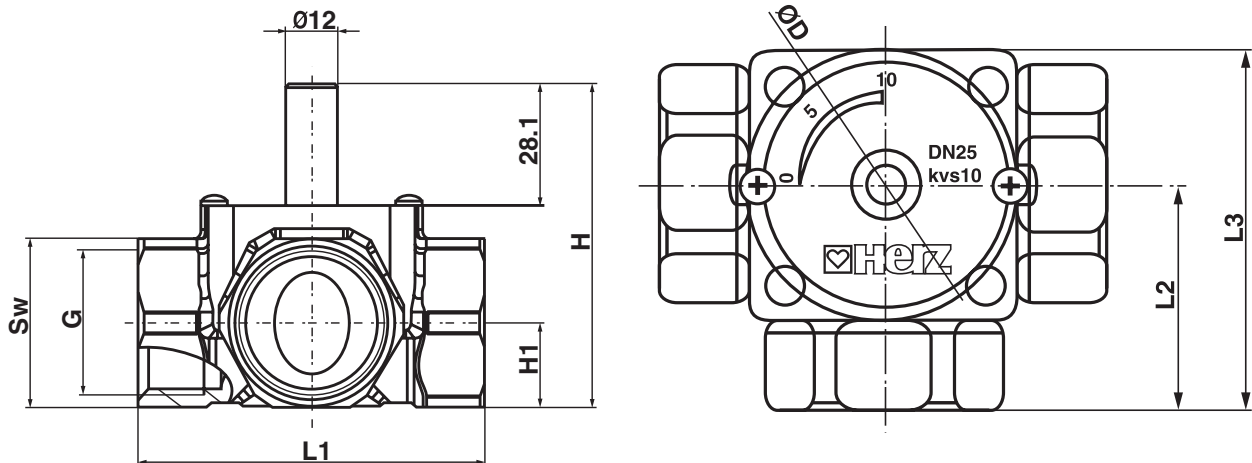


# HERZ-3-Port Mixing Valve

Data sheet 2137, Issue 1112

## ☑ Dimensions in mm



Order number	DN	kvs	Sw	G	L1	L2	L3	H	H1	W
1 2137 11	DN 15	4	27	1/2	60	30	50	62,1	13,4	0,405
1 2137 12	DN 20	6,3	31	3/4	64	32	52	66,1	15,4	0,438
1 2137 13	DN 25	10	39	1	80	40	64	74,6	19,25	0,782
1 2137 14	DN 32	16	49	5/4	100	50	76,6	83,8	24,1	1,152
1 2137 15	DN 40	25	59	6/4	125	63	95,5	96,2	30,1	2,41
1 2137 16	DN 50	40	72	2	150	75	109,2	109,2	37,6	3,616

## ☑ Material

Body:	forged brass (CW602N) according to EN 12420
Ball:	brass
Sealing:	EPDM (Gasket)
Connection:	Female thread according to ISO 7-1

## ☑ Technical Data

Nominal pressure:	10 bar
Permanent operational temperature:	-10 °C...110 °C
Short time operational temperature:	130 °C
Angle of rotation:	90°
Torque (at nominal voltage):	< 5 Nm

## ☑ Accessories

1 2001 95	Handle
1 7712 63	Actuating drive NR 230-455, 230V

**Other Models**

**3-Port Mixing Valve with Handle**

Order number	DN
1 2137 01	DN 15
1 2137 02	DN 20
1 2137 03	DN 25
1 2137 04	DN 32
1 2137 05	DN 40
1 2137 06	DN 50



**Application and Mounting**

Mixing or distributing valve for control in cold and warm water.

In combination with an actuator it is possible to set the characteristics of the 3-port mixing valve (linear, proportional or quadratic).

The 3-port mixing valve is installed in pipe systems with the help of connectors depending on the application (mixing or distributing functions).

An actuator can be mounted on a valve in any position except with its head up.

The ingress of condensate, dripping water etc. into the drive should be prevented.

**3-Point Actuator**

The actuator can be operated by 3-point and open-close control (see diagram). The mounting position in relation to the ball valve can be selected in 90° steps. The actuator is automatically disconnected when the end stops are reached.

**Manual operation possible by lever:**

press for temporary disengagement, permanent gearing disengagement by rotary switch on the housing cover to the manual position

**Signalling:**

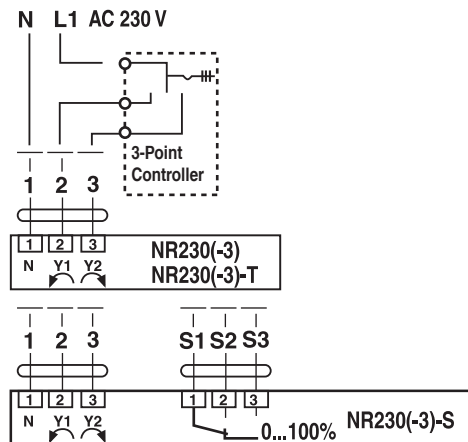
The 3-point actuator has an adjustable auxiliary switch. This allows signalling of rotation angle of 0 ... 100%

**Safety note:**

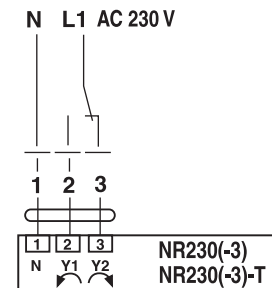
The actuator may only be opened at the factory. It contains no components which can be replaced or repaired by the user.

**Wiring Diagram**

**3-Point Control**

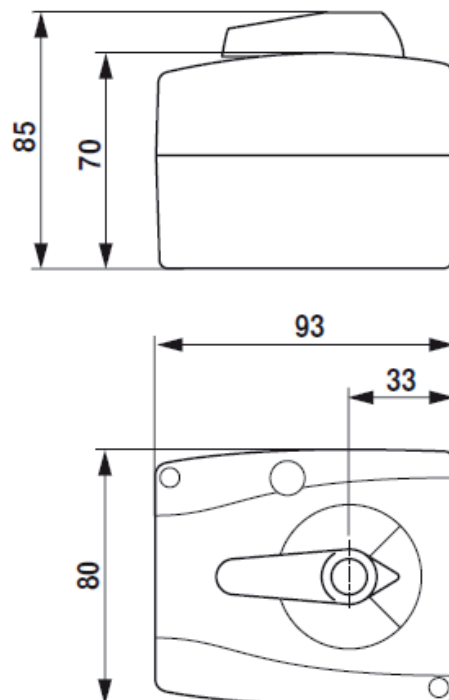


**Open-Close Control**

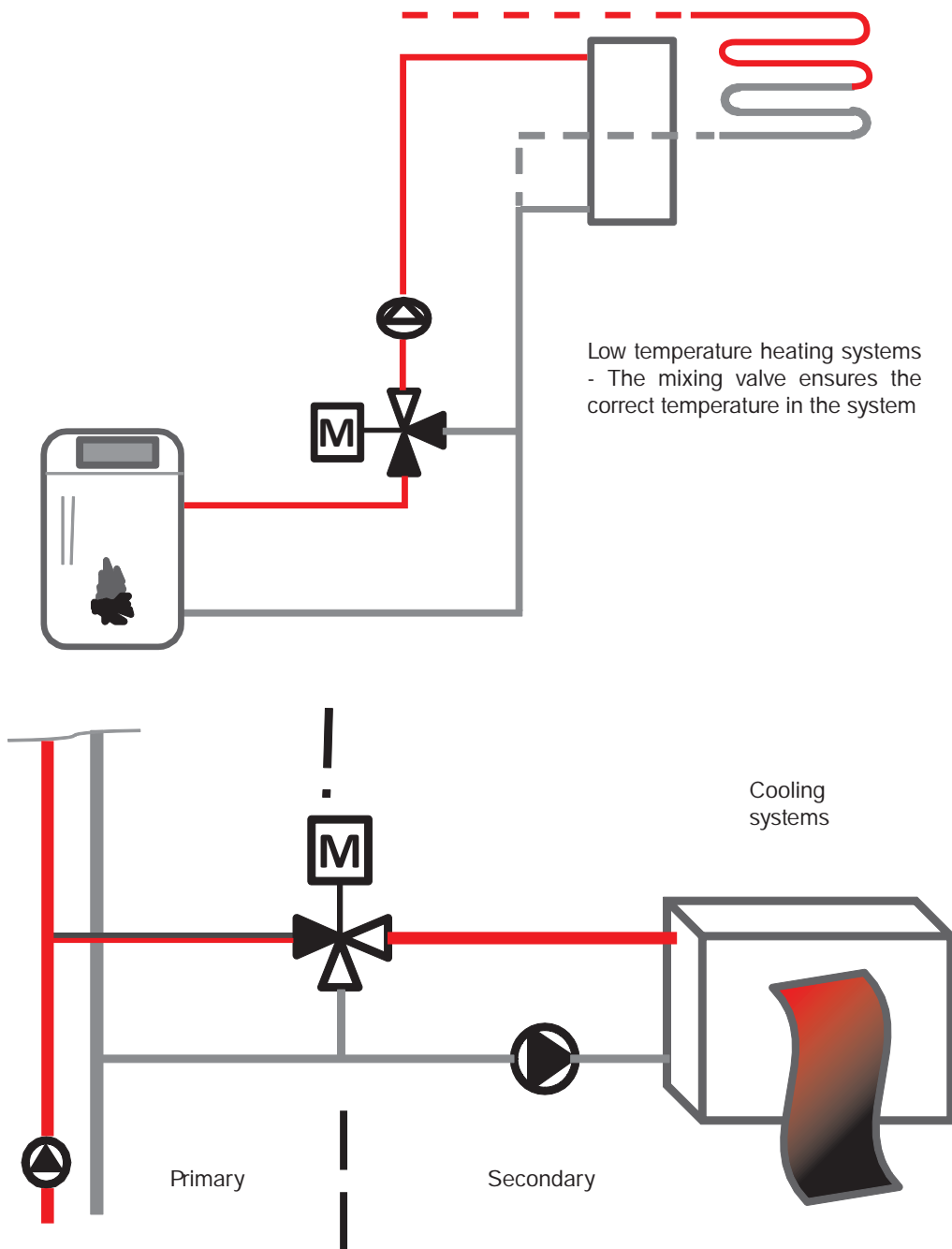


**☑ Technical data**

Nominal voltage	AC 230 V 50 / 60 Hz
Power supply range	AC 198 ... 264 V
Dimensioning	3,5 VA
Power consumption	3,5 W
Auxiliary switch	1 x EPU 5 (1) A, AC 250 V
– Switching point	adjustable 0 ... 100%)
Manual operation	Temporary and permanent disengagement of the gearing latch
Torque	min. 10 Nm (at nominal voltage)
Angle of rotation	90°
Running time	140 s
Sound power level	max. 35 dB(A)
Position indication	Scale 0 ... 1
Protection class	II (totally insulated)
Degree of protection	IP40
Ambient temperature range	0 ... + 50 °C (duty cycle 140/35 s)
Media temperature	+ 5 ... + 120 °C (ball valve)
Non-operating temperature	– 30 ... + 80 °C
Humidity test	according to EN 60730-1
EMC	CE according to 89/336/EWG
LV directive	CE according to 73/23/EWG
Mode of operation	Typ 1.B (EN 60730-1)
Maintenance	Maintenance-free



Application example



Solar system with two buffer vessels

